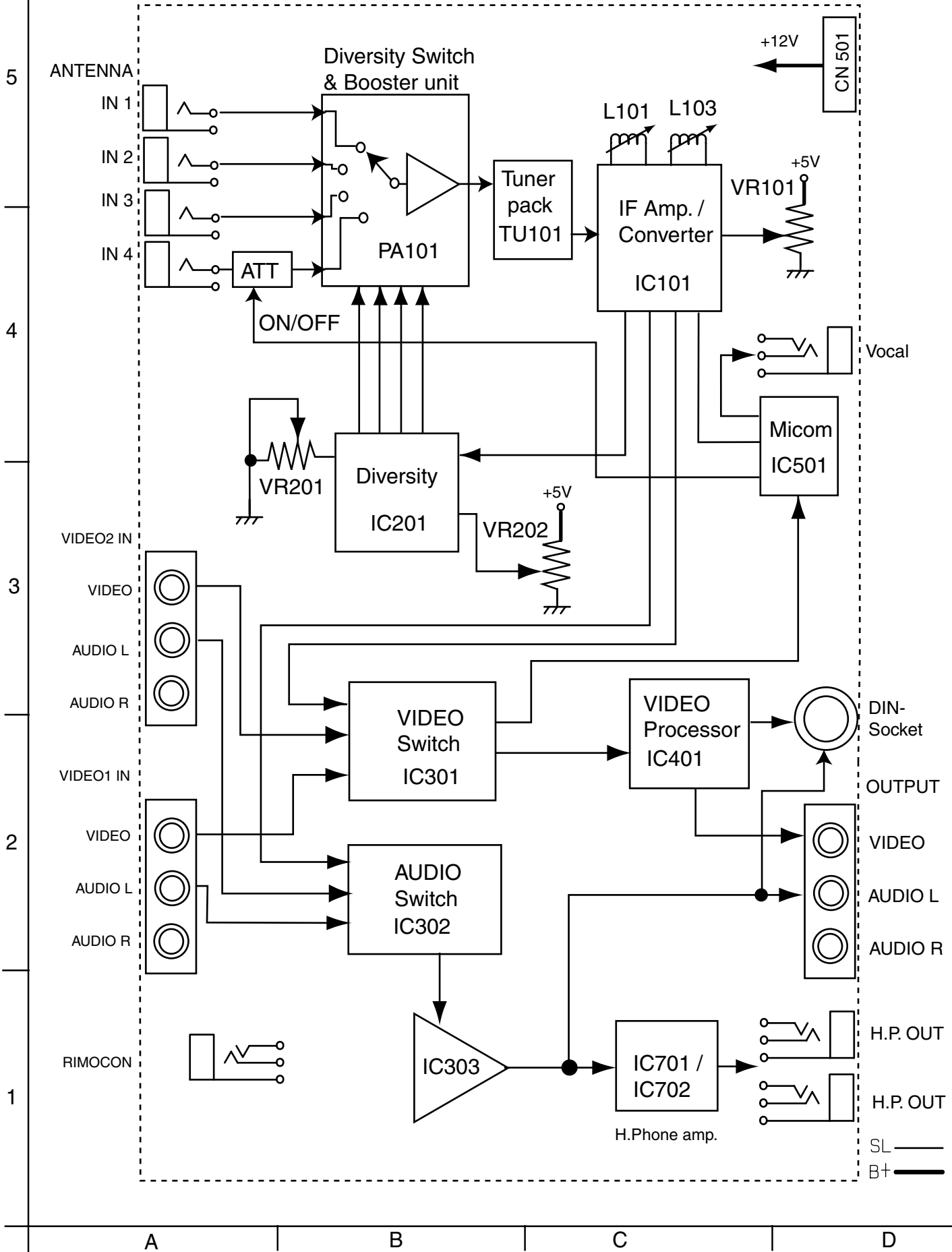


Block diagram



Printed circuit boards

■ Main board

(Forward side)

(Reverse side)

